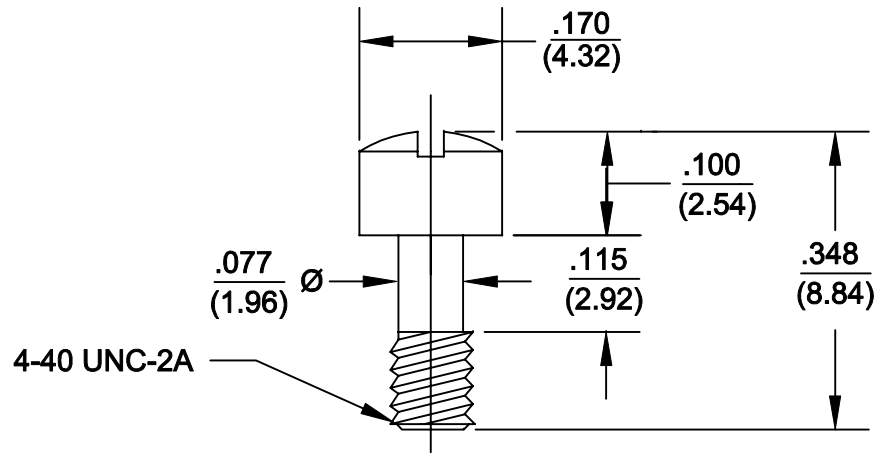
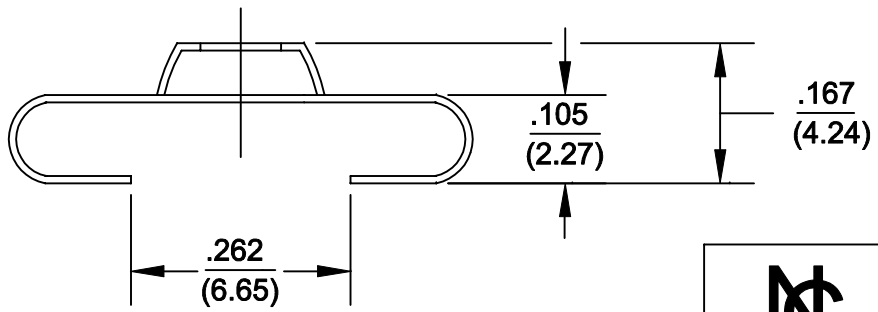
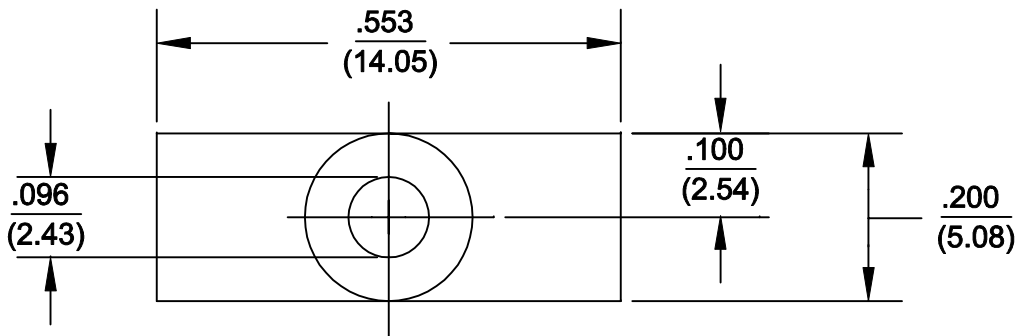



DESCRIPTION: 4-40 MALE SCREWLOCK



	SCREW	CLIP	
PART NUMBER	PART NUMBER	PART NUMBER	PLATING
KIT = 160-000-001-041	SSH-440-1-YC	RSO-1-YC	YELLOW CHROMATE
BULK = 160-000-001-042	SSH-440-1-YC	RSO-1-YC	YELLOW CHROMATE
KIT = 160-000-001-051	SSH-440-1-T	RSO-1-T	NICKEL
BULK = 160-000-001-052	SSH-440-1-T	RSO-1-T	NICKEL



KIT TO INCLUDE IN SEALED BAG:
2 SCREWS
2 CLIPS

	THESE DRAWINGS AND SPECIFICATIONS ARE THE PROPERTY OF NorComp AND SHALL NOT BE REPRODUCED, COPIED OR USED AS THE BASIS FOR THE MANUFACTURE OF SALE OF APPARATUS WITHOUT WRITTEN PERMISSION.		DRAWN: WAYNE ROBBINS	DATE: 9-14-98
			CHECKED:	DATE:
NorComp		SCALE: 1:4	SHEET 1 OF 1	REV 2
		DWG NO. 160-000-001-0XX		